

## Telemetry Interface

### Quick Install & Commissioning Reference RS485 to Photoscan Dimension+

The Telemetry Interface should be fixed to a secure weatherproof location convenient for electrical power and telemetry signal connections.

Electrical supply should be 9-36v AC or DC. The Status LED will flash once every 3 seconds to indicate healthy state.

Telemetry signalling has to be connected with the correct polarity for both source and target. The quickest way to establish the polarity (+/-) of the telemetry cabling is to experiment.

Suggested commissioning procedure;

**1. Connect and test the source first.**

When the source polarity is correct the Comm 1 Rx & Tx LEDs will flash to indicate when control commands are received. If it doesn't and one of the LEDs is permanently illuminated then reverse the cable polarity (swap + with -)

**2. Check & Set the address range.**

Camera address must be within the range defined. If the address used is within the defined range then the Comm 2 Rx LED will flash when control commands are received

**3. Then connect and test the target.**

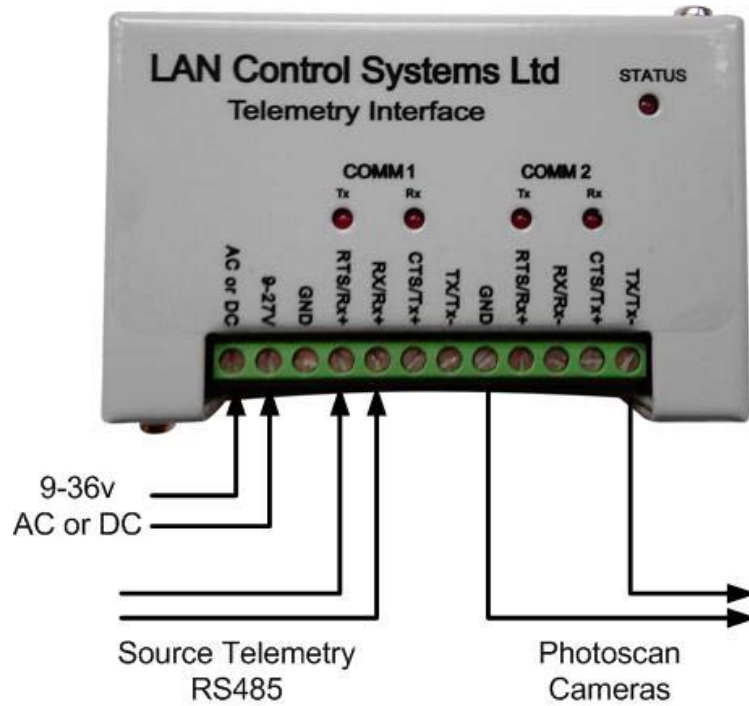
If the Camera/Receiver doesn't respond to commands then reverse the cable polarity (swap + with -)

**Note: Camera offset.**

When converting one protocol to another it is possible that the address will be offset by one, this is due to different protocols using binary '0' or '1' as address one. When testing it always best to test the camera address also camera address +1 & -1.

For example if the camera address is 5 then try address 4, 5 & 6.

If the address is plus or minus one then this can be adjusted by internal DIP switches.

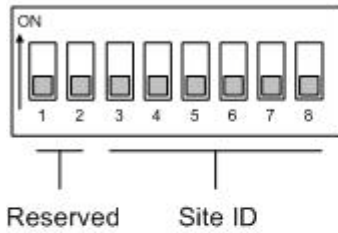


The Photoscan Dimension+ protocol incorporates a Site ID which has to be set on the TI switch bank S4. See table below.

The Photoscan default baud rate is 2400 which is set on the TI switch bank S1.

**Telemetry Interface**

Switch Bank S4 – Photoscan Dimension+ Output Site Address with Camera Address



Site ID = 0		Site ID = 16	
Site ID = 1		Site ID = 17	
Site ID = 2		Site ID = 18	
Site ID = 3		Site ID = 19	
Site ID = 4		Site ID = 20	
Site ID = 5		Site ID = 21	
Site ID = 6		Site ID = 22	
Site ID = 7		Site ID = 23	
Site ID = 8		Site ID = 24	
Site ID = 9		Site ID = 25	
Site ID = 10		Site ID = 26	
Site ID = 11		Site ID = 27	
Site ID = 12		Site ID = 28	
Site ID = 13		Site ID = 29	
Site ID = 14		Site ID = 30	
Site ID = 15		Site ID = 31	

For more comprehensive installation and commissioning details please refer to Telemetry Interface Installation Manual